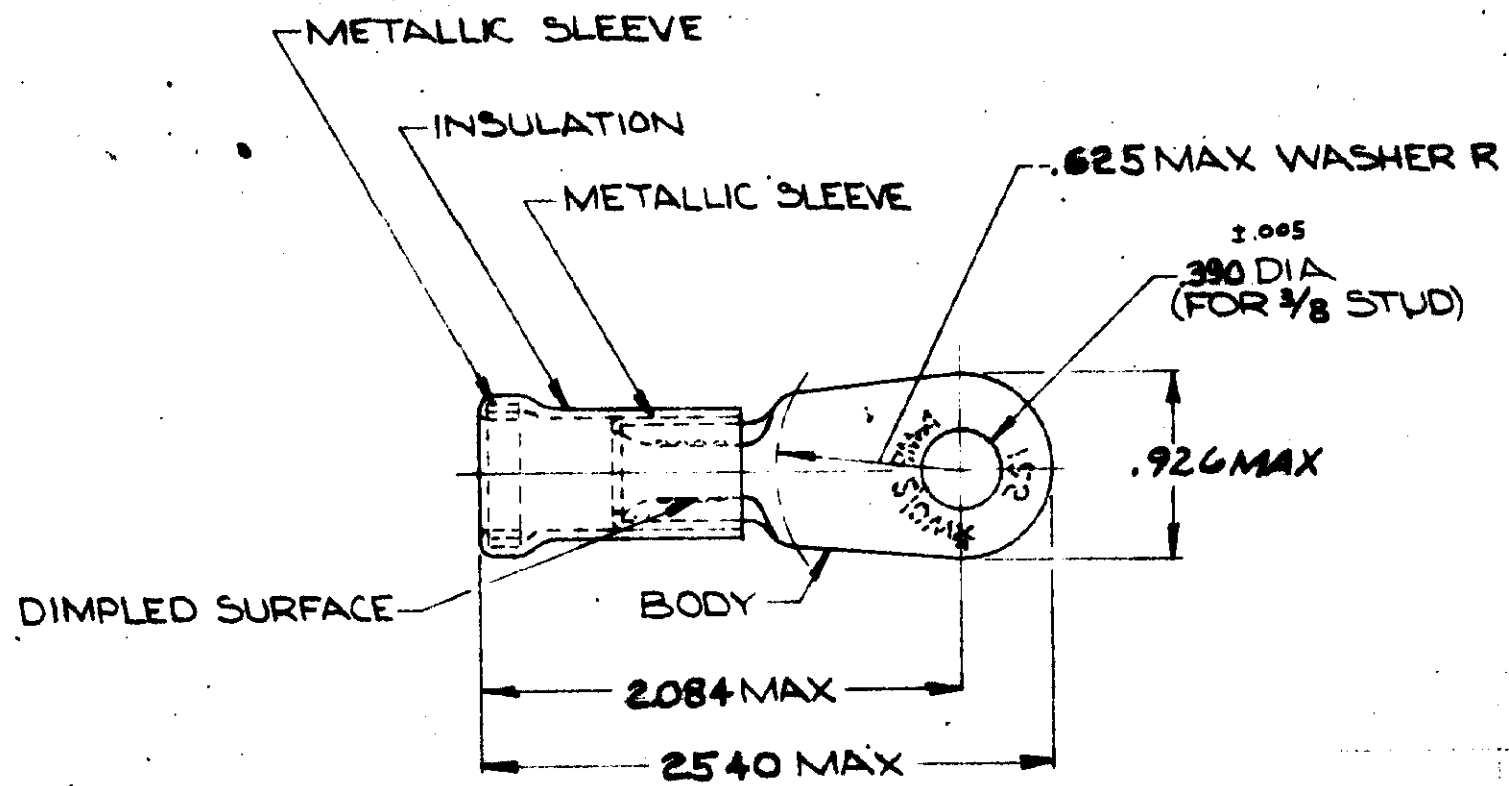


© 1953 BY AMP INCORPORATED. ALL RIGHTS RESERVED. AMP PRODUCTS COVERED BY PATENTS AND/OR PATENTS PENDING.

REVISIONS				
ZONE	LTR	DESCRIPTION	DATE	APPROVED
	C	REMOVED & REVISION 1	1-6-70	JML
	D	REVISED PER ECN PC-6864	6-18-72	AB
	E	REV G-4680	5-9-88	JT



TONGUE MATERIAL THICKNESS = $\pm .003$ **.080**
 FOR .684 MAX WIRE INS. DIA

1	WIRE TERMINAL	322090	BODY: COPPER (QQ-C-576) TIN PL (MIL-T-10727)
			INSULATION: PVC COLOR: YELLOW
			METALLIC SLEEVE: COPPER (QQ-C-576)
			METALLIC BAND: STEEL QQ-S-638 (ASTM A103)
QTY	DESCRIPTION	PART NO.	MATERIAL & FINISH
UNLESS OTHERWISE SPECIFIED DIMENSIONS ARE IN INCHES TOLERANCES ON: DECIMALS $\pm .008$ ANGLES $\pm 5^\circ$			AMP INCORPORATED HARRISBURG, PENNSYLVANIA
CONTRACT NO. <i>11-1500</i>			AMP WIRE TERMINAL AMPLI-BOND - RING TONGUE WIRE SIZE: 2/0
DR. <i>[Signature]</i>			
CHK <i>[Signature]</i> 1-6-70			
APPD <i>[Signature]</i> 1-7-70			
MATERIAL			NAME
SEE TABLE			SIZE
DSGN APPD			CODE IDENT NO.
OTHER APPD			NUMBER
			B 00779 322090
			SCALE NTS SHEET 1 OF 1